



# COX™ 2-Component Dispenser

## AirFlow™ 1 CCA 380B

A 2-component pneumatic 380mL dispenser for coaxial cartridges.



Sulzer | 2-Component COX Dispenser | 62

Model shown: AirFlow 1 CCA 380B 380mL

### Product advantages

- Minimum trigger pressure
- U-opening steel frame / plastic support barrel
- Quick exhaust valve
- Warranty up to 2 years\*

### Customer benefits

- For effortless use and minimum fatigue
- Ease of cartridge insertion and removal
- Prevents run-on
- Gives you long worry free performance

### Applications



Bonding



Chemical  
Anchoring

### Product by range

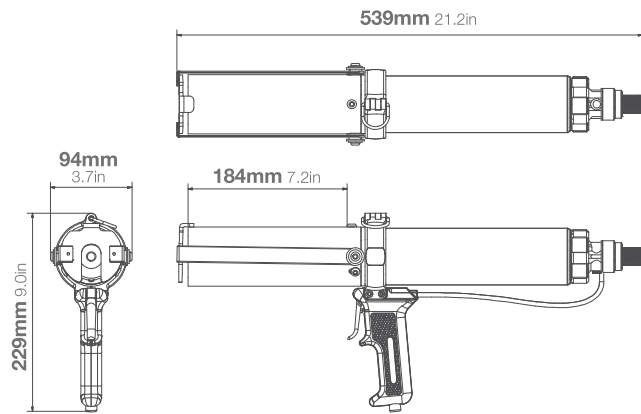


The **AirFlow 1 CCA 380B** is part of a range of pneumatic dispensers, designed for use with medium to high viscosity sealants and adhesives.

### Specifications

- Weight: 1.93 kg / 4.25lbs
- Frame Length: 184mm / 7.2in
- Maximum Thrust: 2.2kN
- Maximum Pneumatic Pressure: 6.8bar / 100psi
- Air Consumption: 40 litres/min
- Handle Material: Epoxy Coated Aluminum
- Frame Material: Epoxy Coated Steel
- Tool Component Approvals: CE, REACH
- Cartridge Capacity: 380mL / 13oz
- Cartridge Ratio: 5:1, 10:1
- Viscosity: Medium/High
- Standard Color: Black/Blue
- Customized versions on demand

### Dimensions



#### Part number:

380LP10 (US)

#### Article number:

AW2010 (10:1)  
AW2003 (5:1)

#### Colour:

black / red  
black / red

#### Packaging:

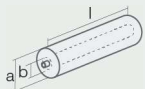
1 per Box  
1 per Box

### Matching MIXPAC™ coaxial cartridges



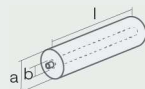
**Q-System Cartridge**  
380mL 10:1 / PA

### Compatible coaxial cartridges



**Plastic Cartridge**  
380mL 5:1 / PP

	mm	inch
l	183.0	7.2
a	Ø 63.0	Ø 2.4
b	Ø 25.2	Ø 1.0



**Plastic Cartridge**  
380mL 10:1 / PP

	mm	inch
l	183.0	7.2
a	Ø 63.0	Ø 2.4
b	Ø 18.0	Ø 0.7

### Conversion kits

### Matching accessories